

PRODUCT INFORMATION PACKET



Model No: C4K17DK2A

Catalog No: E103023.00

..1/3HP..1800RPM.S56C.ODP.115/230V.1PH.60HZ.CONT.40C.1.35S.F..RIGID C FACE.....GENERAL PURPOSE.NOT.....

Open Drip Proof (ODP)



Regal and Leeson are trademarks of Regal Beloit Corporation or one of its affiliated companies.

©2018 Regal Beloit Corporation, All Rights Reserved. MC017097E





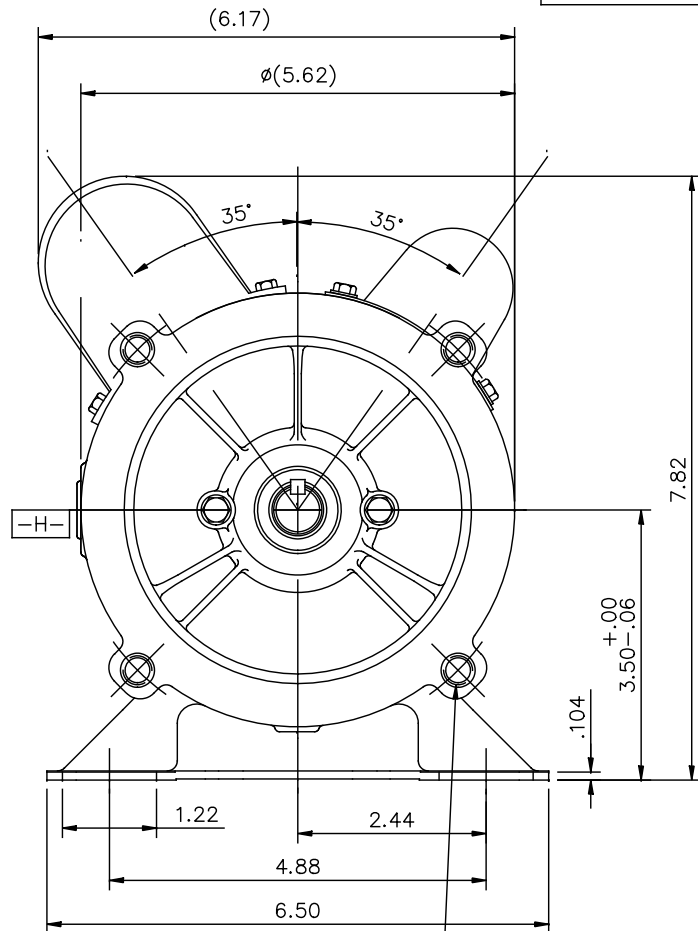
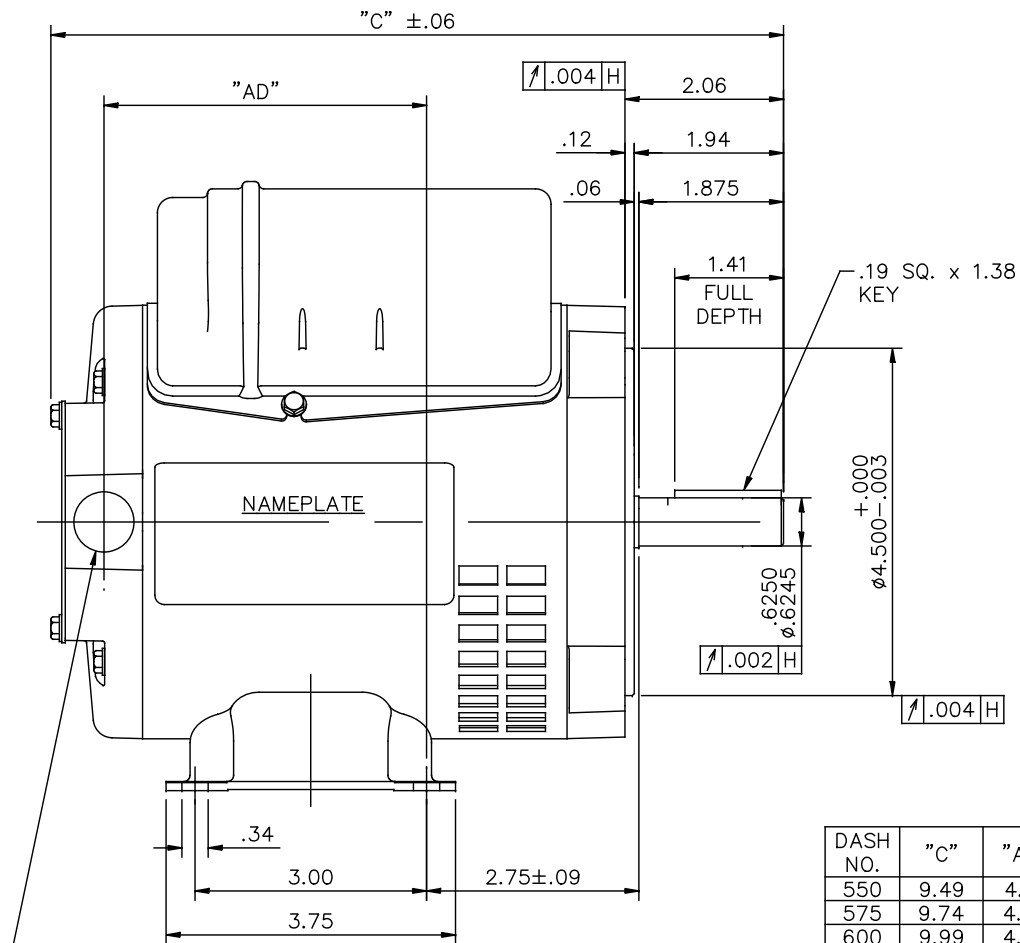
Nameplate Specifications

Output HP	0.33 Hp	Output KW	0.25 kW
Frequency	60 Hz	Voltage	115/230 V
Current	3.8/1.9 A	Speed	1725 rpm
Service Factor	1.35	Phase	1
Efficiency	72.4 %	Duty	Continuous
Insulation Class	B	Design Code	N
KVA Code	L	Frame	S56C
Enclosure	Drip Proof	Overload Protector	No
Ambient Temperature	40 °C	Drive End Bearing Size	6203
Opp Drive End Bearing Size	6203	UL	Recognized
CSA	Y	CE	Y
IP Code	22		

Technical Specifications

Electrical Type	Capacitor Start Capacitor Run	Starting Method	Across The Line
Poles	4	Rotation	Selective Counterclockwise
Mounting	Rigid base	Motor Orientation	HORIZONTAL
Drive End Bearing	BALL	Opp Drive End Bearing	BALL
Frame Material	Rolled Steel	Shaft Type	NEMA 56
Overall Length	10.74 in	Frame Length	6.75 in
Shaft Diameter	0.625 in	Shaft Extension	1.88 in
Assembly/Box Mounting	F1 ONLY		
Outline Drawing	A-SS404120-700	Connection Diagram	A-005054-15-REGAL

SS404120



DASH NO.	"C"	"AD"
550	9.49	4.18
575	9.74	4.43
600	9.99	4.68
625	10.24	4.93
650	10.49	5.18
675	10.74	5.43
700	10.99	5.68
725	11.24	5.93
750	11.49	6.18
800	11.99	6.68

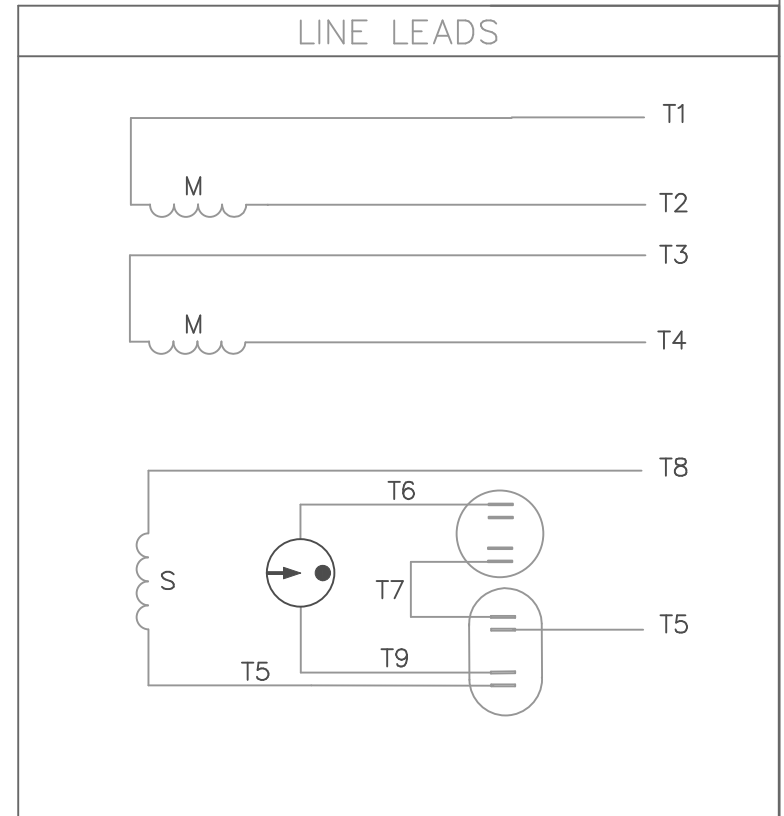
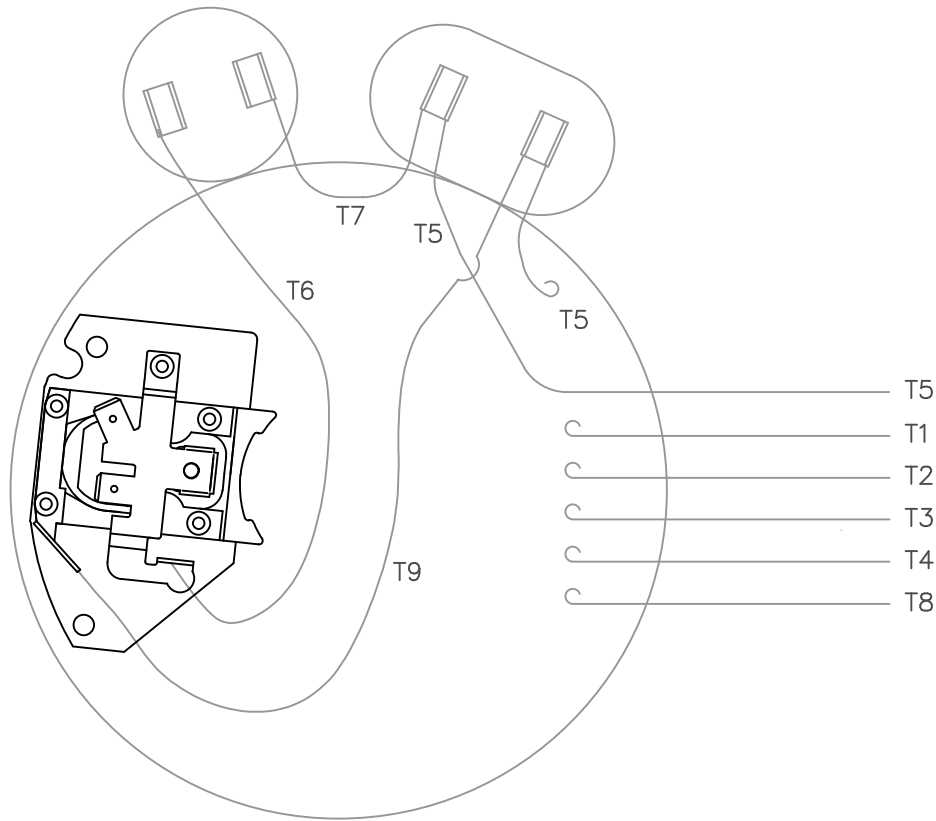
1/2-14 NPT CONDUIT HOLE (PLUGGED)

				TOLERANCES UNLESS SPECIFIED		DRAWN JAH 12/02/2014	
				DEC.	INCHES	CHK SM 12/02/2014	
				.X	±.1	APPD	
				.XX	±.03	SCALE NTS	
				.XXX	±.005	REF SS404118	
A	CREATED NEW DRAWING	JAH 12/02/2014	SM	.XXXX	±.0005	MAT'L.	FMF
NO.	REVISION	BY & DATE	CHK	ANG	±7'30"	FINISH	PREV
THIS DRAWING IN DESIGN AND DETAIL IS OUR PROPERTY AND MUST NOT BE USED EXCEPT IN CONNECTION WITH OUR WORK ALL RIGHTS OF DESIGN AND INVENTION ARE RESERVED THIS IS AN ELECTRONICALLY GENERATED DOCUMENT - DO NOT SCALE THIS PRINT				RFP	CAD FILE SS404120		SIZE A
				DIST	WP	DRAWING NO. SS404120	PAGE 1 OF 1
						REV. A	



TITLE OUTLINE
S56 FRAME RIGID MOUNT - DRIP PROOF

VIEW FROM OUTSIDE OF MOTOR AT SWITCH END.



	ROTATION FACING LEAD END	L1	L2	JOIN
HIGH VOLT	C.C.W.	T1	T4 T5	T2, T3 T8
	C.W.	T1	T4 T8	T2, T3 T5
LOW VOLT	C.C.W.	T1 T3, T8	T2, T4 T5	
	C.W.	T1, T3 T5	T2, T4 T8	

		TOLERANCES UNLESS SPECIFIED	
		DEC.	INCHES
		.X	±.1
		.XX	±.01
		.XXX	±.005
		.XXXX	±.0005
NO.	REVISION	BY & DATE	CHK
			ANG ±1/2'



ELECTRIC MOTORS
GEARMOTORS
AND DRIVES

TITLE
EXTERNAL WIRING DIAGRAM
TYPE "K" W/O PROTECTOR

MAT'L.
DECAL 004012

FINISH

DRAWN	PG 4/17/03
CHK	
APPD	
SCALE	1=1
REF	005054-01
FMF	102368.00
PREV	

THIS DRAWING IN DESIGN AND DETAIL IS OUR PROPERTY AND MUST NOT BE USED EXCEPT IN CONNECTION WITH OUR WORK ALL RIGHTS OF DESIGN AND INVENTION ARE RESERVED THIS IS AN ELECTRONICALLY GENERATED DOCUMENT - DO NOT SCALE THIS PRINT

RFP	CAD FILE	00505415	SIZE	DRAWING NO.	REV.
DIST			A	005054-15	



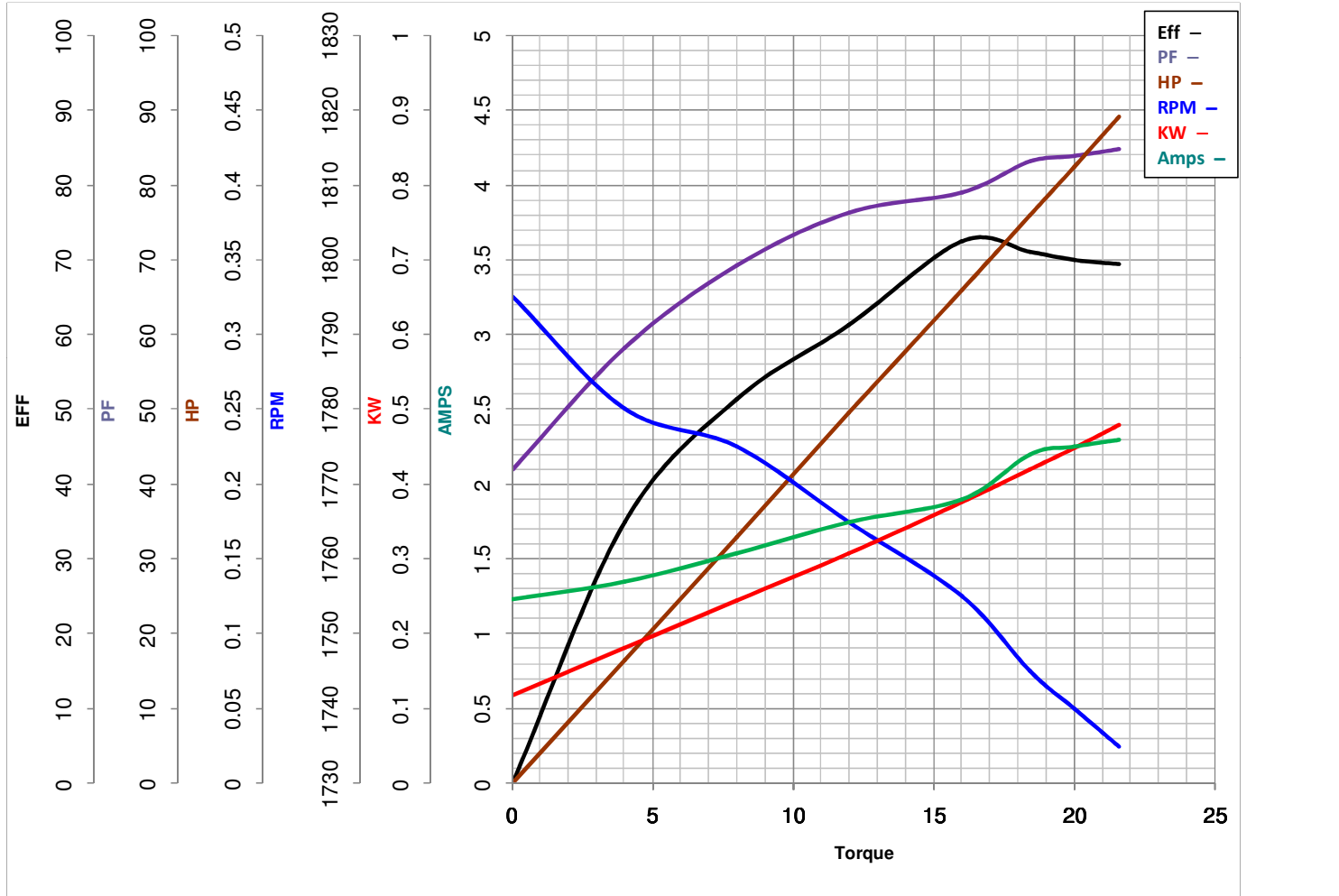
LEESON ELECTRIC CORPORATION
 TYPICAL PERFORMANCE CURVE for AC MOTOR

Model No E103023.00

Curve at 230 Volts HP 0.33 PHASE 1
60 HZ
0.33 HP VOLTS 115/230

Catalog No E103023.00

HZ 60 RPM 1725



Torque in Oz.Ft

FL TORQUE 16 Oz.Ft
 BD TORQUE 43.5 Oz.Ft
 LR TORQUE 58 Oz.Ft

FL AMPS 3.8/1.9
 PU TORQUE 58.0 Oz.Ft
 LR AMPS 14.2

WINDING BE484111-3

Date 4/18/2018